

pin tumbler mail box locks

GENUINE FACTORY REPLACEMENT LOCKS

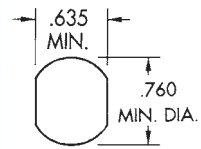
APPLICATION – For doors on architectural mail boxes serviced by United States Postal Service.

OPERATION – 90° cam turn. See drawing for specific operation. Key removal in locked position only.

KEYING – Available keyed differently only (100 changes).

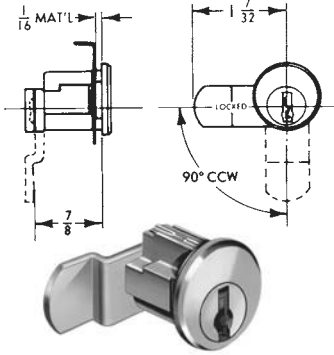
PACKAGING – Supplied with two keys and a spring mounting clip. C8720 furnished with trim ring.

*C8712 and C8720 are provided with a threaded cylinder, with proper clip grooving.

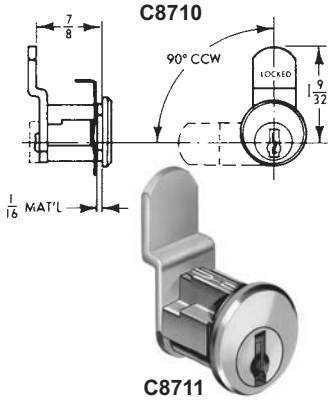


MOUNTING HOLE FOR ALL LOCKS

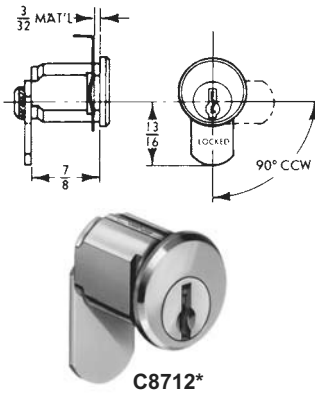
SPRING MOUNTING CLIP



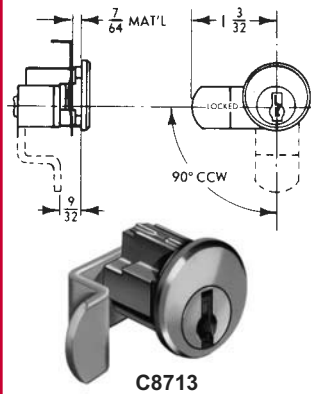
C8710



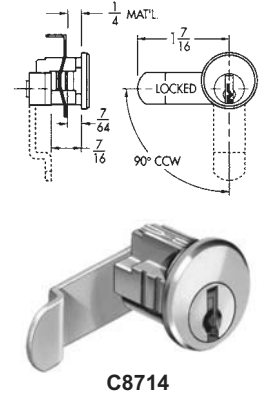
C8711



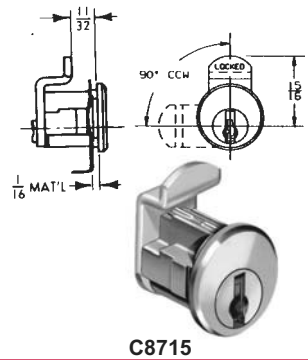
C8712*



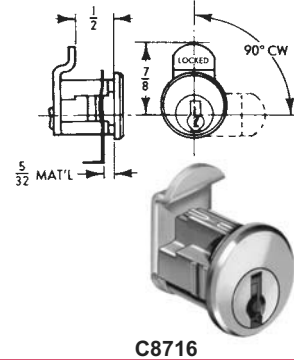
C8713



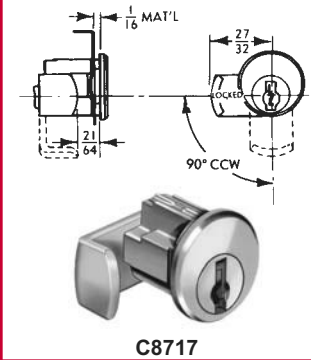
C8714



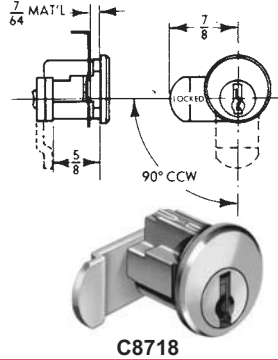
C8715



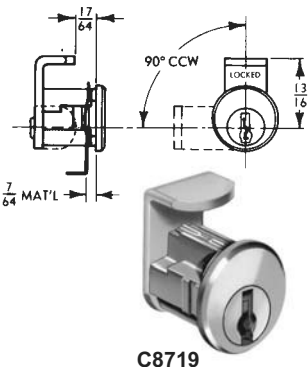
C8716



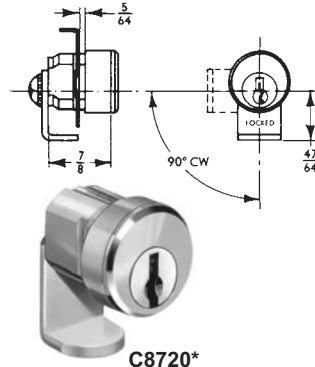
C8717



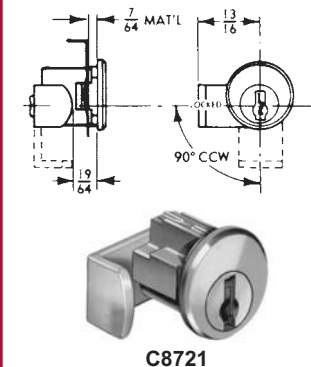
C8718



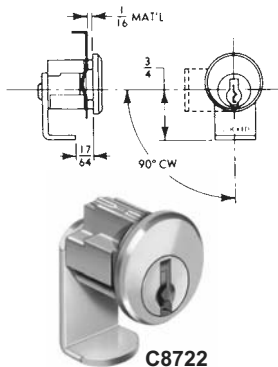
C8719



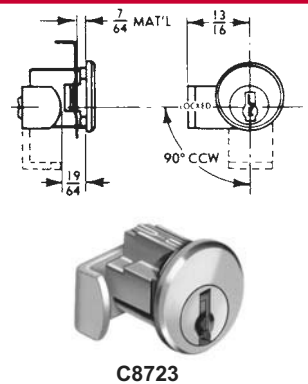
C8720*



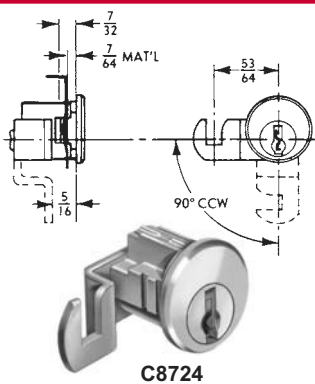
C8721



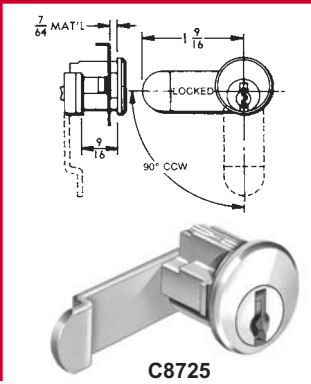
C8722



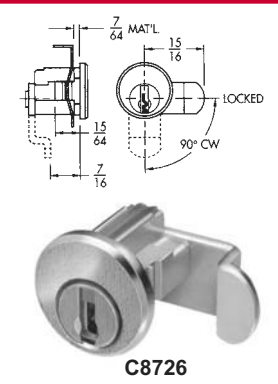
C8723



C8724



C8725



C8726