

ACE II® CAM TYPE UNIVERSAL FUNCTION LOCKS







Conveniently Packaged! More Versatile Than Ever!

- **Effective Retail Display**—Ready to “Hang,” these new packages include easy to follow instructions for your customers’ replacement lock needs.
- **Convenient Field Use**—The Universal Function package includes everything you need for quick, easy installation of these original factory-quality locks.
- **All brass construction.**
- Patented Ace II® assembly.
- Center plug contains anti-drill pin for added security.
- Standard finish - Polished Nickel.
- Furnished with straight locking cams which can be mounted vertically or horizontally and also a 1/4" offset cam. Cams are 1/8" thick X 3/4" wide.
- Two keys furnished per lock.

STOCK LOCKS

Specifications:

KEY ROTATION/REMOVAL is determined by the **STOP CAM** you select and how it is positioned.

-  A. 180° Clockwise Rotation - Key removal at 12 O’Clock.
-  B. 180° Counter Clockwise Rotation - Key removal at 12 O’Clock.
-  C. 90° Clockwise Rotation - Key removal at 12 & 3 O’Clock.
-  D. 90° Counter Clockwise Rotation - Key removal at 12 & 9 O’Clock.

LOCKING CAM (SEE OPTIONS BELOW)

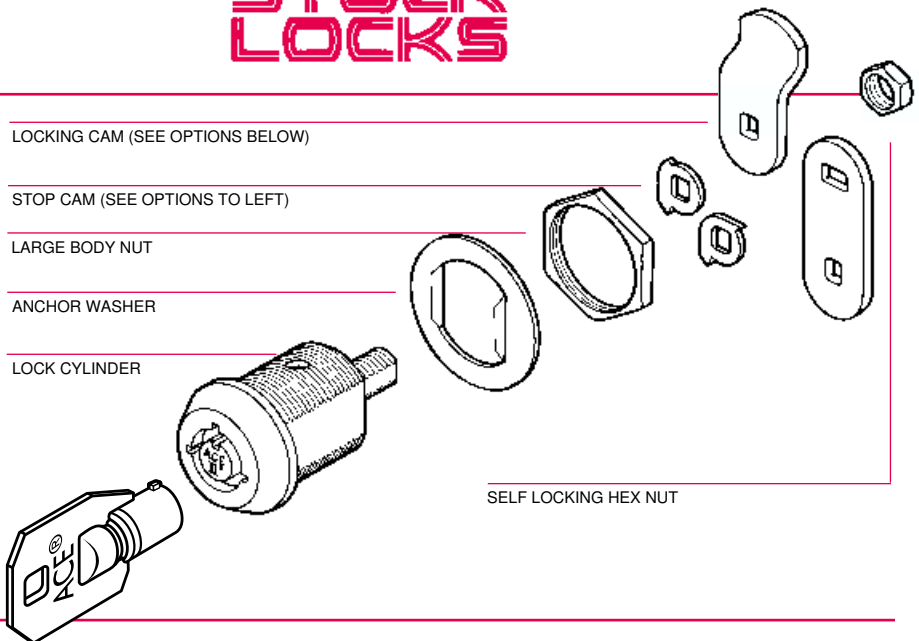
STOP CAM (SEE OPTIONS TO LEFT)

LARGE BODY NUT

ANCHOR WASHER

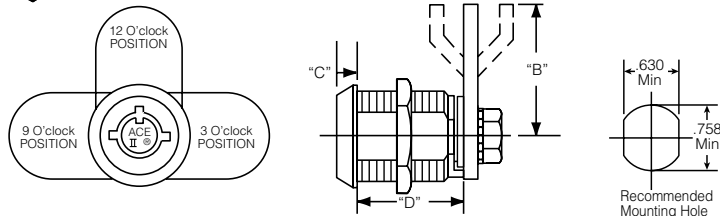
LOCK CYLINDER

SELF LOCKING HEX NUT



To order:

Call your local distributor and specify lock number which corresponds with dimensions required.



(Standard Package of 25)

Lock No.	"B" Dim.	"C" Dim.	"D" Dim.	Key Numbers Available / Reference Numbers						
C4198	1 1/8 28.6mm	23/64 9.04mm	19/32 15.1mm	KD 99589	7525 99588	6224 99590	6225 99591	6226 99592	6227 99593	7302 99684
C4153	1 1/8 28.6mm	1/4 6.4mm	1 1/16 17.5mm	KD 99251	7525 99250	PL-505 99252	7302 99253	6301 99594	6302 99595	6602 99624
C4153	1 1/8 28.6mm	1/4 6.4mm	1 1/16 17.5mm	6029 99254	6030 99255	6031 99256	6032 99257	6303 99596	6234 99597	PL910 99625
C4152	1 1/8 28.6mm	13/64 5.2mm	15/16 23.8mm	KD 99241	7525 99240	PL-505 99242	7302 99243	6401 99598	6402 99599	PL910 99626
4152	1 1/8 28.6mm	13/64 5.2mm	15/16 23.8mm	6003 99244	6021 99245	6022 99246	6023 99247	6403 99600	6404 99601	6605 99627
C4160	1 1/8 28.6mm	13/64 5.2mm	1 3/32 27.8mm	KD 99471	PL-960 99472	PL-505 99602	6501 99603	6502 99604	6234 99605	7302 99685

All part numbers shown in red are available through the STOCK LOCKS program.